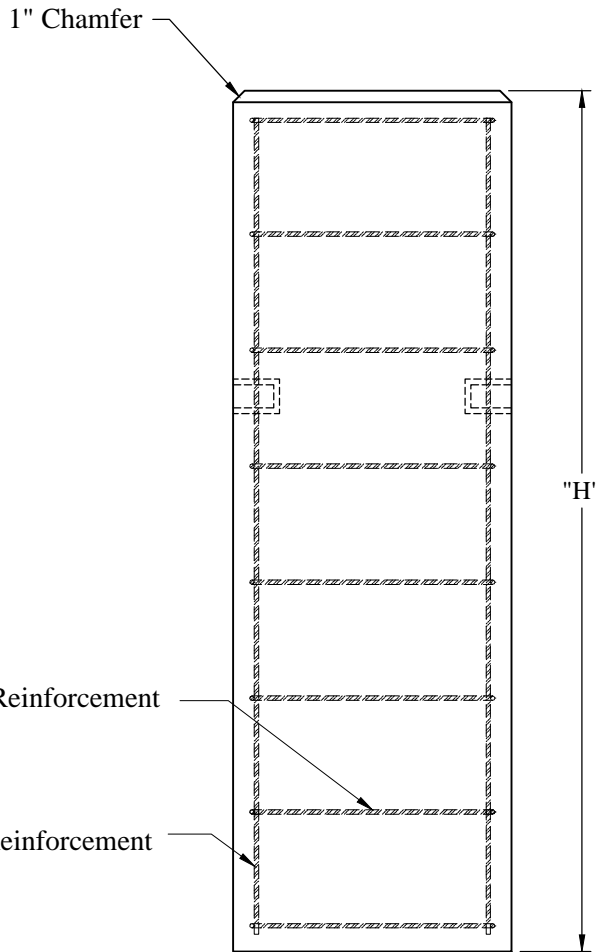
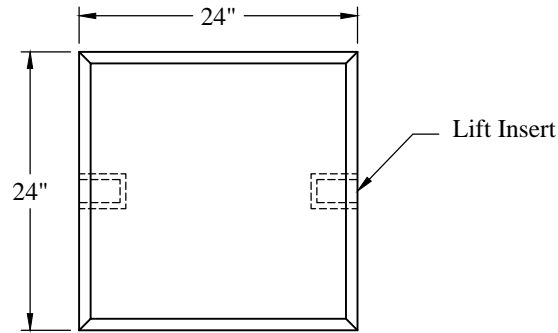


1-800-639-2199

Fax (603) 224-2927

PiersRectangular\24 x 24 Inch Pier (v)



Height	Weight	P/N:
4'-0"	2,380 lbs	PIER-24S4
4'-6"	2,680 lbs	PIER-24S4.5
5'-0"	2,975 lbs	PIER-24S5
5'-6"	3,275 lbs	PIER-24S5.5
6'-0"	3,570 lbs	PIER-24S6
6'-6"	3,870 lbs	PIER-24S6.5
7'-0"	4,165 lbs	PIER-24S7
7'-6"	4,465 lbs	PIER-24S7.5
8'-0"	4,760 lbs	PIER-24S8
8'-6"	5,060 lbs	PIER-24S8.5
9'-0"	5,355 lbs	PIER-24S9
9'-6"	5,655 lbs	PIER-24S9.5
10'-0"	5,950 lbs	PIER-24S10
10'-6"	6,250 lbs	PIER-24S10.5
11'-0"	6,545 lbs	PIER-24S11

Phoenix Precast Products

Phoenix Precast Products

General Notes

1. Concrete: $f_c = 4,000$ PSI @ 28 Days Minimum
2. Reinforcing Steel Conforms to Latest ASTM Specifications:
ASTM A615 Grade 60 Rebar Black Deformed Bars

Phoenix
Precast
Products

24" x 24"
Pier